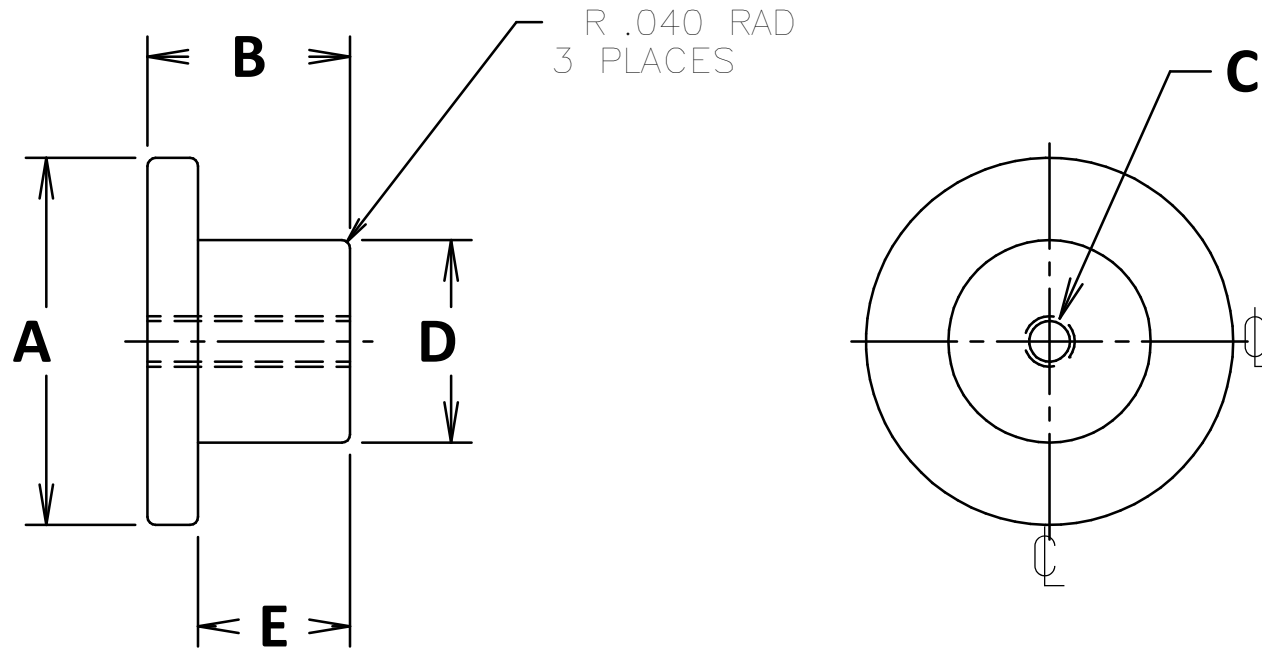


AVAILABLE SIZES

NO ARC TERMINAL

A	B	C	D	E
0.937"	0.75"	6 - 32	0.750"	0.500"
1.187"	1.00"	10 - 32	1.000"	0.750"
1.687"		1/4 - 20	1.500"	
1.812"		1/4 - 28	1.625"	



U.S. RESISTOR, INC.