

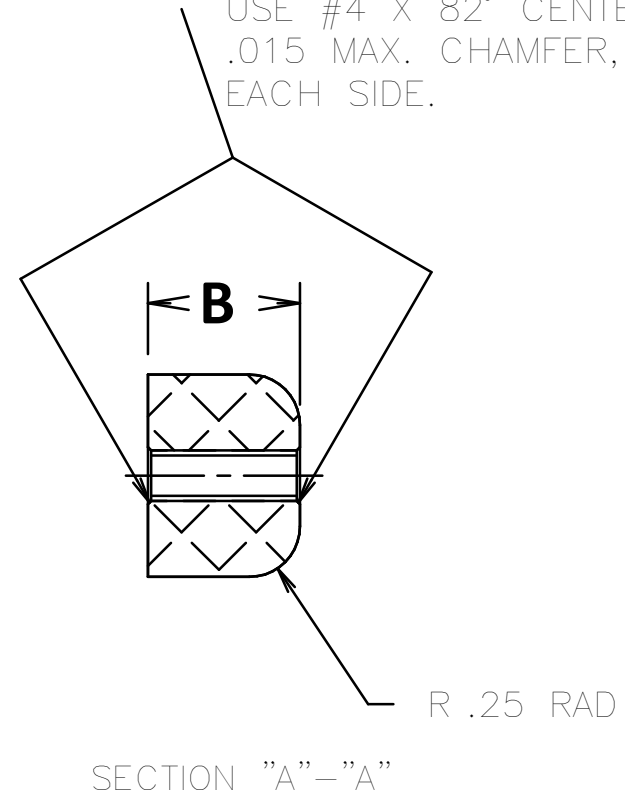
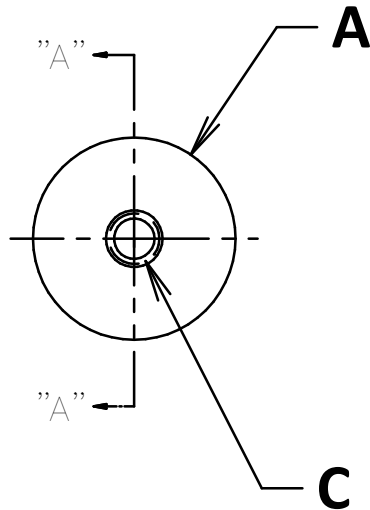
AVAILABLE SIZES

A	B	C
0.500"	0.500"	6 - 32
0.750"	0.750"	10 - 32
1.000"	1.000"	1/4 - 20
1.500"		1/4 - 28
1.625"		

RADIUS TERMINAL

NOTE:

USE #4 X 82° CENTER DRILL.
.015 MAX. CHAMFER,
EACH SIDE.



U.S. RESISTOR, INC.