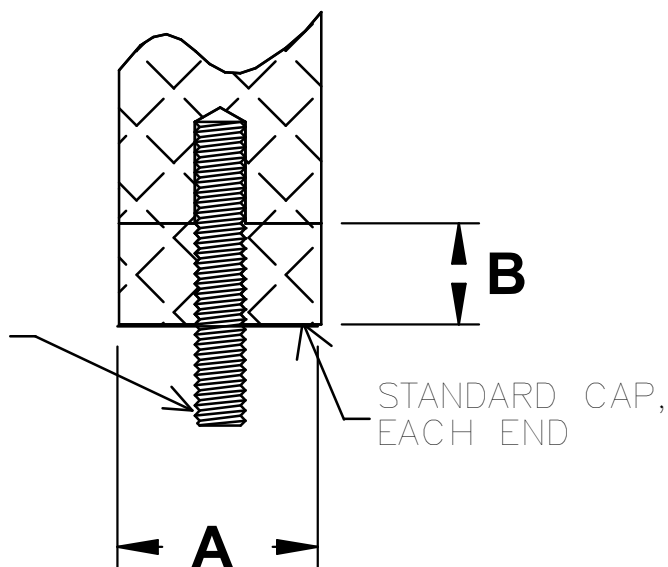


AVAILABLE SIZES

STANDARD TERMINAL with THREADED STUD

A	B	C	D
DIA	LENGTH	STUD SIZE	STUD LENGTH
0.500"	0.250"	1/4 - 20	0.25"
0.750"	0.500"	1/4 - 28	0.50"
1.000"			0.75"
1.500"			1.00"
1.625"			

C X D
THREADED STUD
EACH END



U.S. RESISTOR, INC.