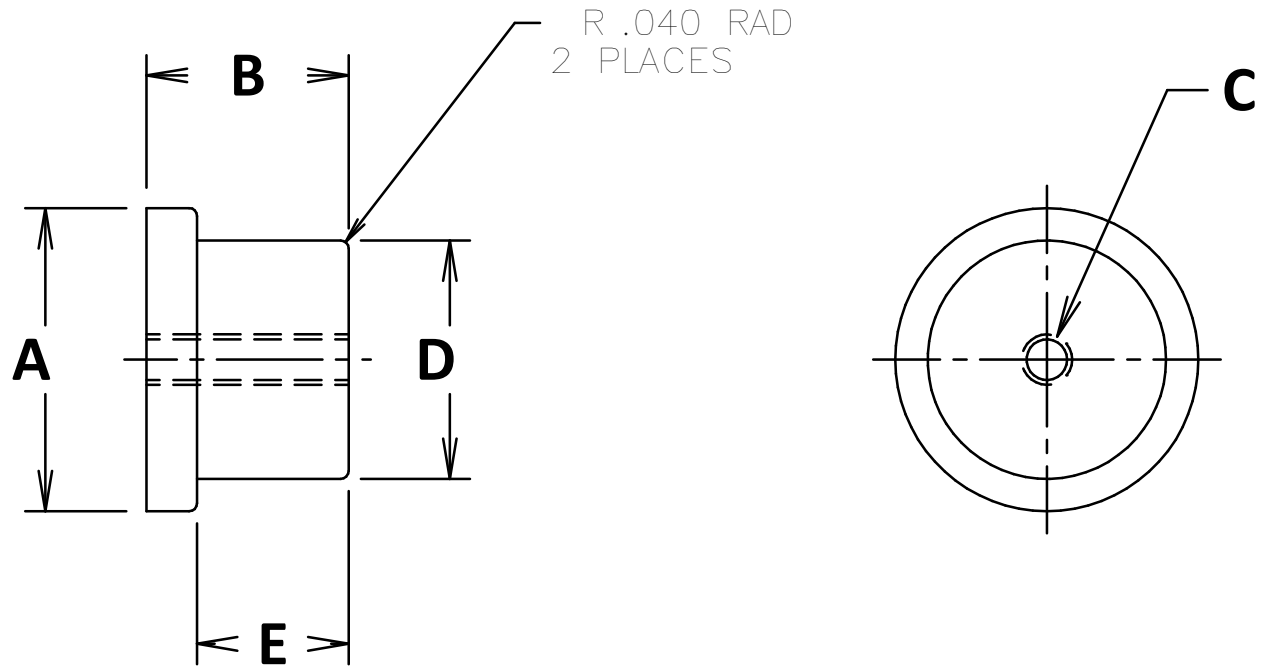


# AVAILABLE SIZES

# STEP DOWN TERMINAL

A	B	C	D	E
1.000"	0.75"	6 - 32	0.75"	0.500"
1.500"	1.00"	10 - 32	1.00"	0.750"
1.625"		1/4 - 20		
		1/4 - 28		



U.S. RESISTOR, INC.